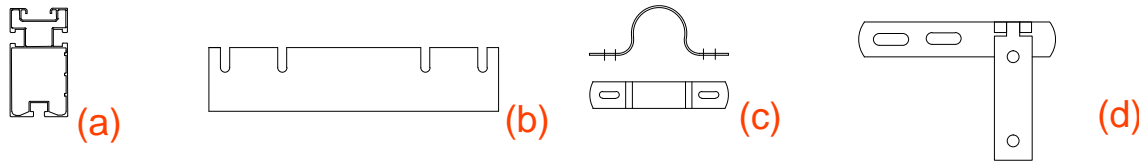
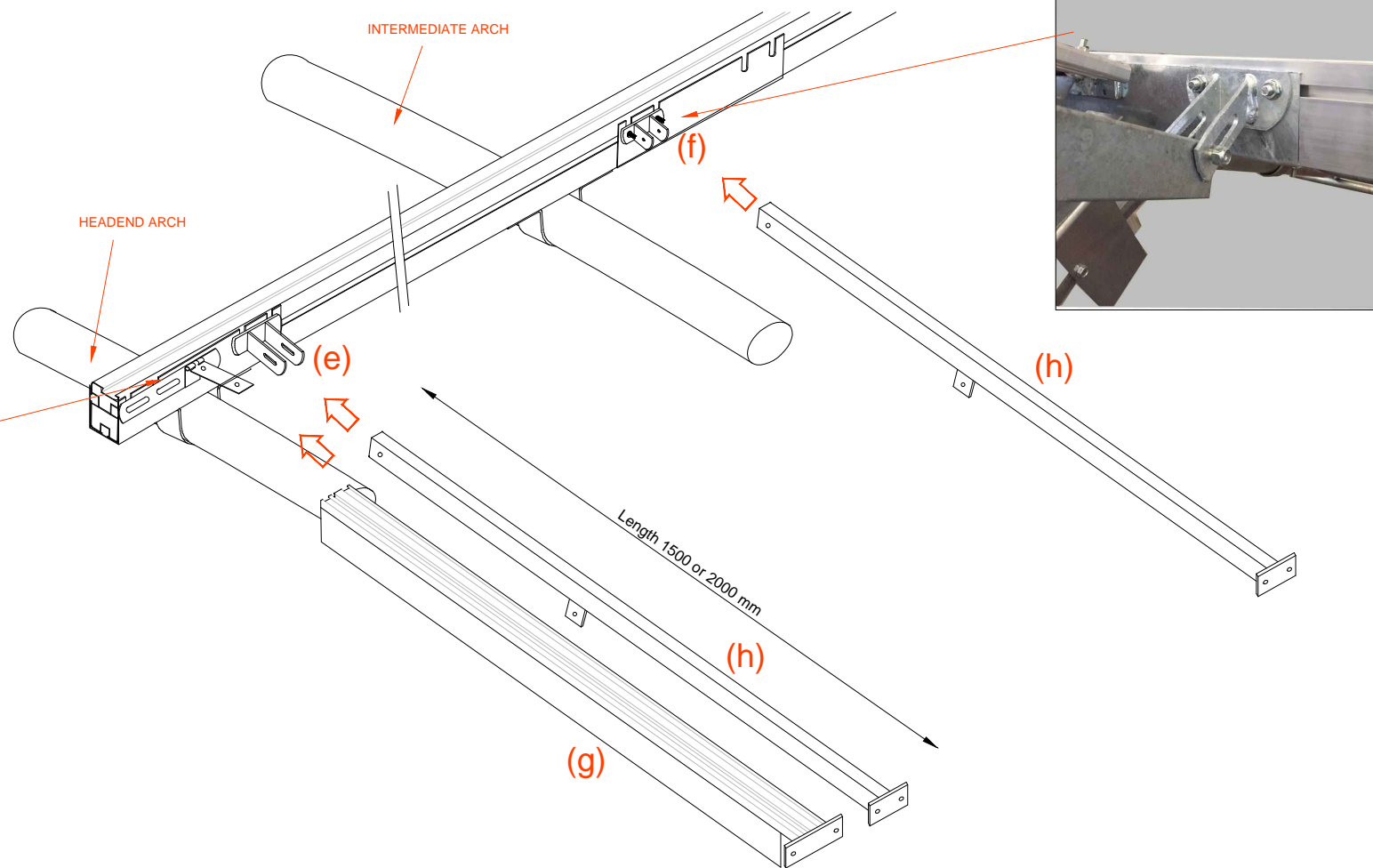


STEP 1: By means of iron straps $\varnothing 60$ (c), fasten the punched U-profiles (b) at the centre of the greenhouse arches as a support for the aluminium profile (a).
Screw the hinged iron joint (d) to the profile (a).

NECESSARY PROFILES





STEP 2: Fasten the hinges (e) to the headend (f) and central arches.

Mount the opening arms (h), which can be 1500 or 2000 mm long. Install the aluminium profile (g) on the headend arch for sheeting closure and fixing.

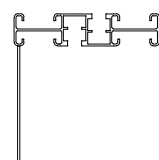
NECESSARY PROFILES



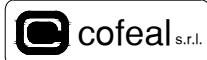
HINGE WITH SLOT (e)



(f)



(g)



All rights reserved. Any unauthorized reproduction or disclosure of this drawing to third parties or competitors is strictly forbidden.

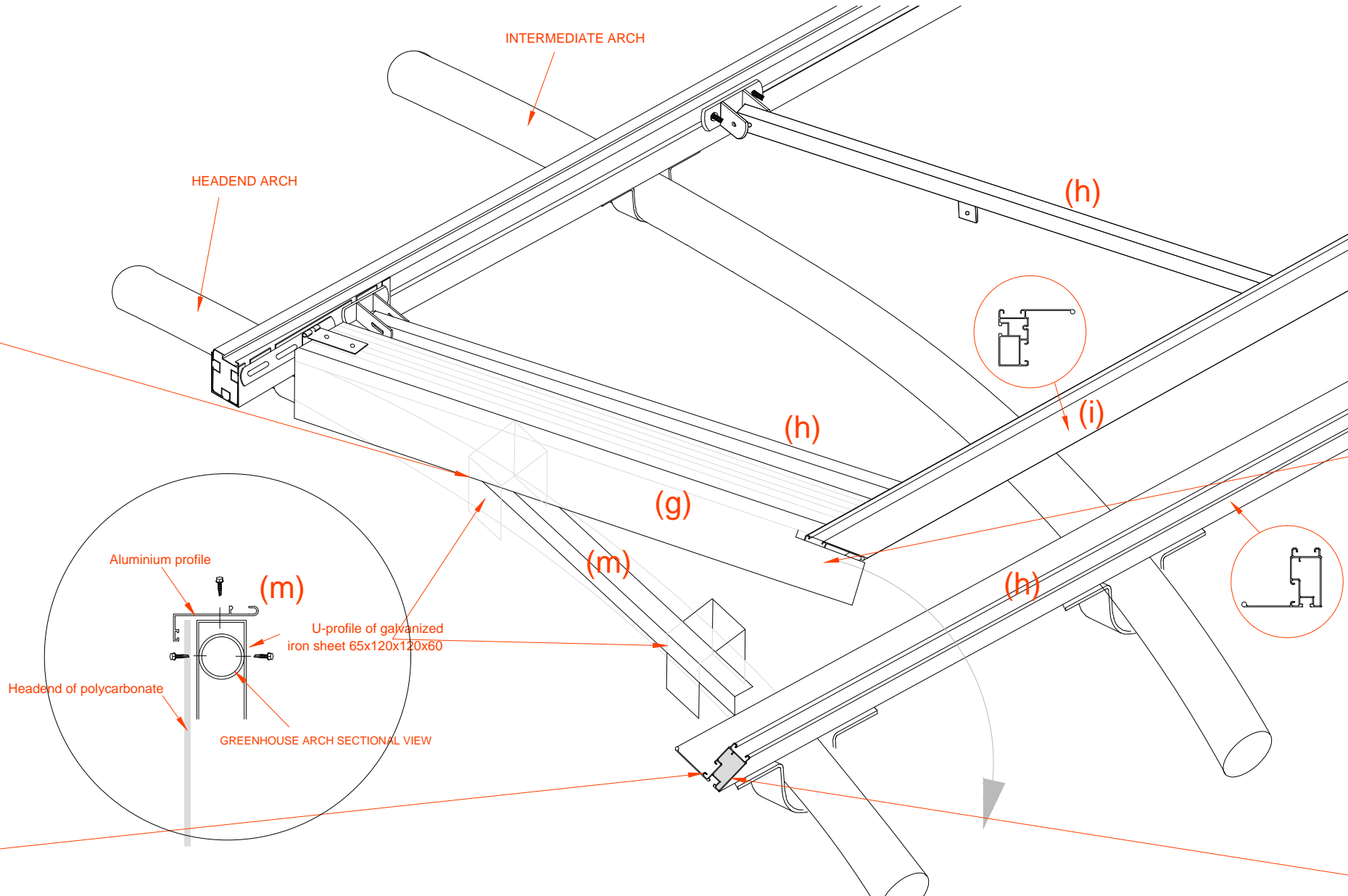
Cliente: _____

Titolo: **ROOF OPENING**

Codice: _____

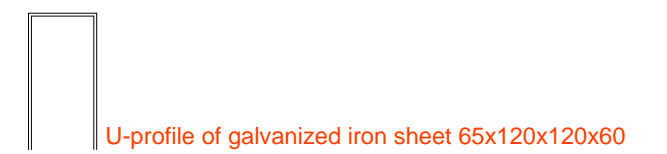
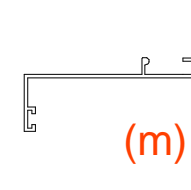
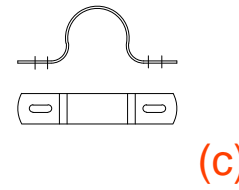
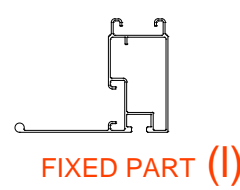
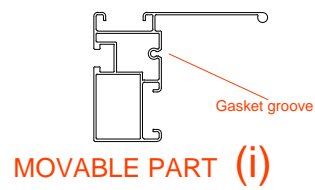
Scala:	/
Disegnato da:	COFEAL
Data :	03.2018

ROOF OPENING ASSEMBLY INSTRUCTIONS: STEP 3



STEP 3: Fasten the profile (g) to the profiles (e) and (f).
Fix the opening rebate profile (h) to the greenhouse arches by means of iron straps Ø 60.

NECESSARY PROFILES



	All rights reserved. Any unauthorized reproduction or disclosure of this drawing to third parties or competitors is strictly forbidden.	Cliente: _____	Titolo: ROOF OPENING	Codice: _____	Scala: /
					Disegnato da: COFEAL
					Data : 03.2018